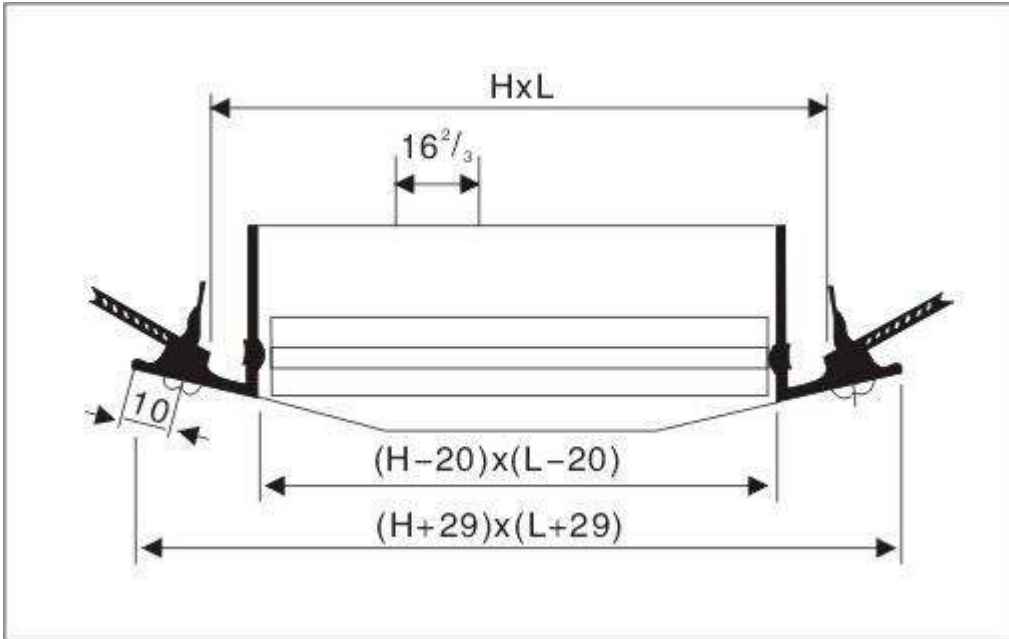


Feature:

Installed directly on a circular duct without frames or other fastening devices

Used for large locations: e.g. in warehouse, factories, workshops, gymnasiums etc.

The blade can be adjusted manually and individually to obtain an optimal air distribution



Specification(mm)	Neck size(mm)	Overall size(mm)
425 X 75	405 X 55	454 X 104
525 X 125	505 X 105	554 X 154
625 X 175	605 X 155	654 X 204
825 X 225	805 X 205	854 X 254
1025 X 425	1005 X 405	1054 X 454