

Feature:

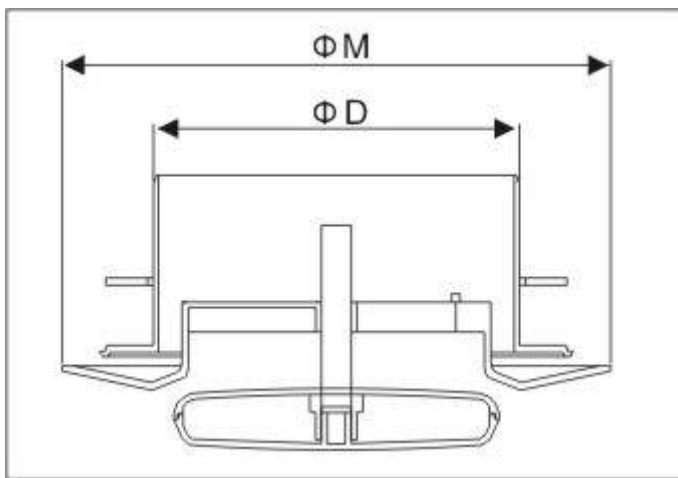
Suitable for rooms with a high air humidity. e.g. bathroom, kitchen

Diameter 100mm.

Variable air flow control

High valve body improving air flow less noise with spring fastening

Simple removal for cleaning



Specification(mm)	Overall size(mm)
$\Phi 80$	$\Phi 130$
$\Phi 100$	$\Phi 150$
$\Phi 125$	$\Phi 175$
$\Phi 150$	$\Phi 200$
$\Phi 200$	$\Phi 250$